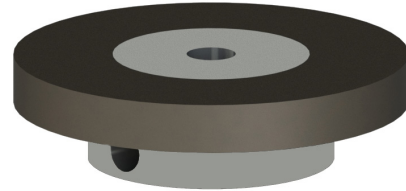


**Features and Benefits**

- Four grades of magnetic materials
- Cost effective design
- High resistance to demagnetization
- Operation from -40°C to 125°C
- Tough environmental endurance
- Very resistant to chipping
- Wide range of pole counts



Molded Target Magnet

**Physical Properties of Magnetic Material**

Table 1.1

Characteristic	Value	Units
Tensile Strength	6500	PSI
Flexural Strength	9750	PSI
Flexural Modulus	1.3 X 10 <sup>6</sup>	PSI
Continuous Service Temperature	100	°C

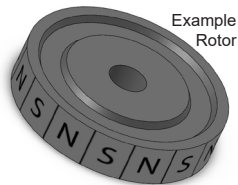
**Magnetic Properties**

Table 1.2

Characteristic	Magnalox 300	Neobond 12M	Neobond 30M	Neobond 32P	Units
Remanence (B <sub>r</sub> )	1370	2500	4000	4300	Gauss
Coercive Force (H <sub>c</sub> )	1180	2400	3250	2500	Oersted
Energy Product (BH <sub>MAX</sub> )	0.40	1.3	3.1	3.2	MGOe
Intrinsic Coercive Force (H <sub>ci</sub> )	2300	7500	7000	6900	Oersted
Reversible Temperature Coefficient (B <sub>r</sub> )	-0.2	-0.35	-0.4	-0.4	%/degC
Reversible Temperature Coefficient (H <sub>ci</sub> )	+0.5	-0.25	-0.36	-0.40	%/degC
Peak Magnetizing Force (>95% Saturation)	596	1100	1600	1600	kA/m
Specific Gravity	3.5	4.0	4.7	4.45	---

**Pole Counts**

Alternating north and south magnetic poles are symmetrically located on the outer diameter for radial sensing.



Example Rotor

**Note:** (N)orth/(S)outh markings are for illustration and do not appear on the actual product.

Available Pole Counts	4, 6, 8, 10, 12, 14, 16, 18, 20, 22, 24, 26, 28, 30, 32, 36, 38, 40, 60, 64, 100, 120
-----------------------	---

**Target Rotor Physical Outline - Aluminum Hub (Mounting Style B)**

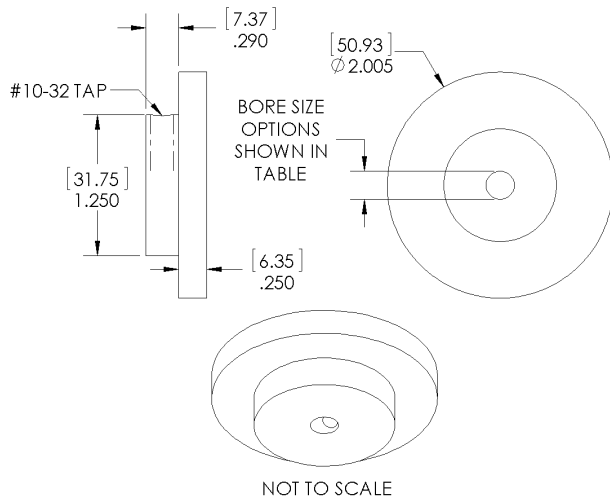


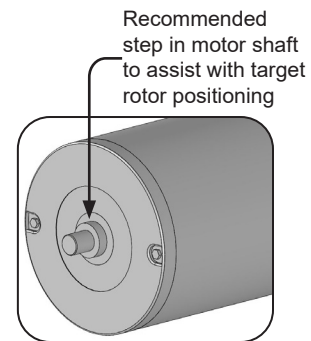
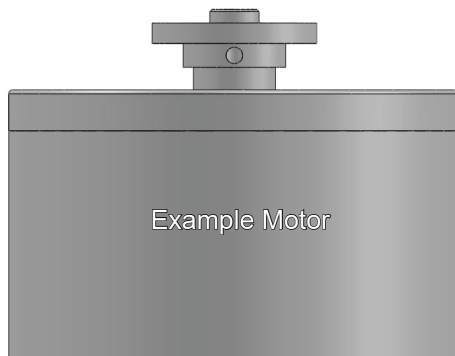
Table 3.1

Bore Size (.inch)	Motor Shaft OD Size (nominal)	NEMA Guide Shaft Tolerance	Magnet Bore MIN. (inch)	Magnet Bore MAX. (inch)
250	1/4 in (.2500")	+0.0000"/-0.0005"	.2507	.2516
276	7 mm (.2758")		.2767	.2778
313	5/16 in (.3125")		.3134	.3145
315	8 mm (.3150")		.3159	.3170
375	3/8 in (.3750")		.3759	.3770
394	10 mm (.3940")		.3949	.3960
473	12 mm (.4728")		.4737	.4748
500	1/2 in (.5000")		.5009	.5020
625	5/8 in (.6250")		.6259	.6270
750	3/4 in (.7500")		.7509	.7520
875	7/8 in (.8750")		.8759	.8770
985	25 mm (.9850")		.9859	.9870

Other bore sizes available upon request.  
Contact [sales@phoenixamerica.com](mailto:sales@phoenixamerica.com).

**Target Rotor Mounting Guidelines - Aluminum Hub (Mounting Style B)**

- Proper alignment of the target rotor is critical for optimal performance.
- A machined step on the motor shaft provides a quick and repeatable method for positioning the target rotor. Spacers or other fixturing should be used to properly position the rotor if no mechanical locating features are on the shaft.
- While the hub is held in the proper position, use a hex wrench to tighten #10-32 set screw.
- For permanent applications, a threadlocker or retaining compound is advised in conjunction with the set screw.



Part Number Description

Series	Design Style	Bore Size	Magnet Material	Pole Count
G32	B Aluminum Hub	250 1/4 in 276 7 mm 313 5/16 in 315 8 mm 375 3/8 in 394 10 mm 473 12 mm 500 1/2 in 625 5/8 in 750 3/4 in 875 7/8 in 985 25 mm	25 Magnalox 300 50 Neobond 12M 75 Neobond 30M 85 Neobond 32P	R04 4 Poles R06 6 Poles R08 8 Poles R10 10 Poles R12 12 Poles R14 14 Poles R16 16 Poles R18 18 Poles R20 20 Poles R22 22 Poles R24 24 Poles R26 26 Poles R28 28 Poles R30 30 Poles R32 32 Poles R36 36 Poles R38 38 Poles R40 40 Poles R60 60 Poles R64 64 Poles R100 100 Poles R120 120 Poles

Example: G32-B-275-25-R08